



This Datasheet is for the

[IC693MDL632](#)

125 Volt DC Positive/Negative Logic Input, 8 Point

<http://www.cimtecautomation.com/parts/p-14655-ic693mdl632.aspx>

Provides the wiring diagrams and installation guidelines for this GE Series 90-30 module.

For further information, please contact Qualitrol Technical Support at

1-800-784-9385

support@qualitrol.com

125 Volt DC Positive/Negative Logic Input, 8 Point IC693MDL632

This *125 volt DC Positive/Negative Logic Input* module provides 8 input points in two isolated groups with four points in each group. Each group has a separate common associated with it (the two commons are not tied together inside the module). The input module is designed to have either positive logic characteristics in that it sinks current from the input devices to the user common or negative power bus, or negative logic characteristics in that it sources current through the input devices to the user common or positive power bus. The input device is connected between the power bus and the module input. Current into an input point results in a logic 1 in the input status table (%I). Input characteristics are compatible with a wide range of input devices, such as pushbuttons, limit switches, and electronic proximity switches. Power to operate field devices must be supplied by the user.

LED indicators which provide the ON/OFF status of each point are located at the top of the module. This LED block has two horizontal rows with eight green LEDs in each row. This module uses the top row labeled A1 through 8 (points 1 through 8). An insert goes between the inside and outside surface of the hinged door. The surface towards the inside of the module (when the hinged door is closed) has circuit wiring information, and circuit identification information can be recorded on the outside surface. The outside left edge of the insert is color-coded red to indicate a high-voltage module.

This module can be installed in any I/O slot of a 5 or 10-slot baseplate in a Series 90-30 PLC system.

Table 6-5. Specifications for IC693MDL632

Rated Voltage	125 volts DC (Positive or Negative Logic)
Input Voltage Range	0 to +150 volts DC
Inputs per Module †	8 (two groups of four inputs)
Isolation	1500 volts between field side and logic side 500 volts between groups
Input Current	4.5 mA typical
Input Characteristics	
On-state Voltage	90 to 150 volts DC
Off-state Voltage	0 to 30 volts DC
On-state Current	3.1 mA
Off-state Current	1.1 mA maximum
On response Time	7 ms typical
Off response Time	7 ms typical
Internal Power Consumption	40 mA from the 5 volt bus on the backplane 36 mA (typical) from user input supply (all inputs ON)

† Number of inputs on is dependent upon ambient temperature as shown in figure 6-11.

Refer to Appendix B for product standards and general specifications.

IC693MDL632 Input Module Field Wiring Information

The following figure provides wiring information for connecting user supplied input devices and power source to the 125 volt DC positive/negative logic input module. The negative logic connections are shown in dashed lines.

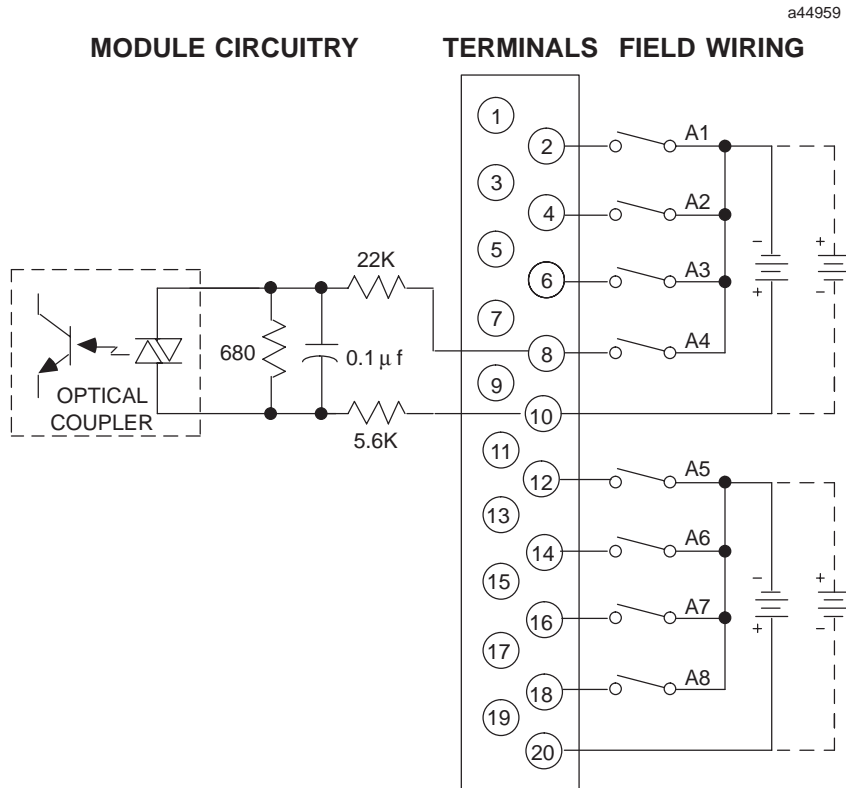


Figure 6-7. Field Wiring - 125 Volt DC Positive /Negative Logic Input Module - IC693MDL632

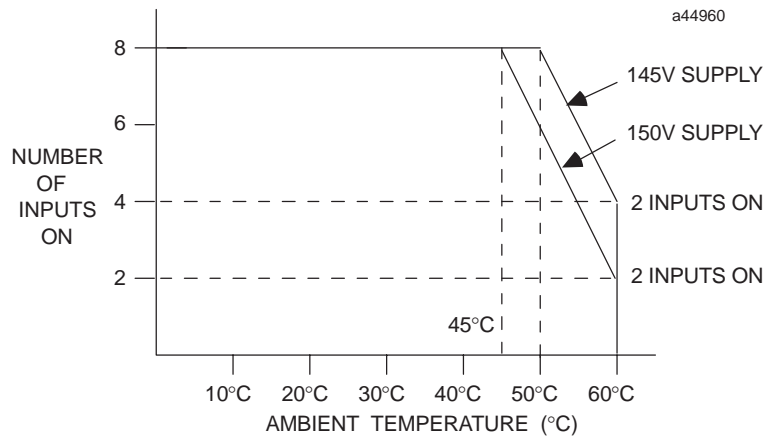


Figure 6-8. Input Points vs. Temperature for IC693MDL632